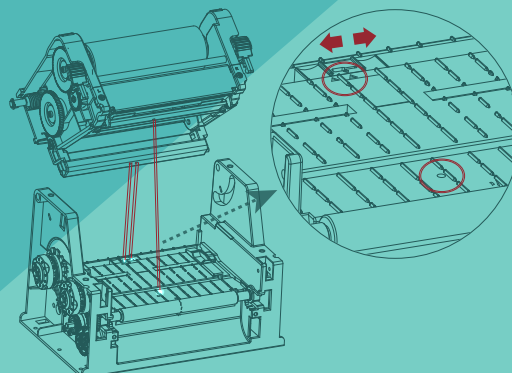


iT4R

Professional UHF RFID thermal transfer printer



- Print speed up to 8 ips.
- Innovative RFID antenna design
- Print before read-write check
- One-key positioning
- Label antenna location
- Simple operation
- Efficient and accurate
- Precise positioning 15mm
- Read-write of ultra small label with 15mm inlay spacing
- Integrated UHF reader / encoder (EPC class 1 Gen2 / ISO 18000-6c)



Model		IT4R
Printing	Printing Method	Thermal transfer/Direct thermal
	Resolution	203dpi/300dpi
	Max. Printing Speed	8 ips (203dpi)/6 ips (300dpi)
	Max. Printing Width	108 mm(203dpi)/106 mm(300dpi)
	Max. Printing Length	2,286 mm(203dpi)/1,524 mm(300dpi)
	Emulation	ZPL-II, TSPL, DPL, EPL
Memory	RAM	128 MB
	Flash	256 MB
Detection	Sensor	Print Frame Open Detect, Ribbon End Detect, Paper Out Detect,TPH Over Heating Detect, 2 Fixed See-through sensor, Full Range Reflective Sensor
Media	RFID Tag	UHF RFID, 860-928MHz,EPC C1G2(ISO18000-6C)
	Types	Continuous Paper, Gap, Black Mark, Punched Hole Label
	Width	1"(25.4)-4.65"(118 mm), include the liner
	Thickness	0.002"(60um)-0.01"(250um)
	Label Roll Diameter	5"(127 mm) Max
	Core Diameter	0.5"(12.7 mm), 1"(25.4 mm), 1.5"(38 mm)
Ribbon	Type	Wax, Wax/Resin, Resin
	Width	1.18"(30 mm)-4.33"(110 mm)
	Length	984'(300 m)
	Core Diameter	1"(25.4 mm)
Software	Label Design Software	Bartender Ultralite
	Driver	Windows 7/8/8.1/10, Windows Server 2008/2012/2016, Linux, MacOS(macOS)
Resident Fonts	Bitmap fonts	6, 8, 12, 16, 32, OCR A & B. 90°,180°,270° rotatable and 10 times expandable in horizontal and vertical directions
	TTF fonts	Monotype CG Triumvirate™. 0°, 90°, 180°, 270° rotatable
Download Fonts	Bitmap fonts	90°, 180°, 270° rotatable and 10 times expandable in horizontal and vertical directions
	Asian fonts	16x16, 24x24. Traditional Chinese, Simplified Chinese, Japanese,Korean, 90°,180°,270°, rotatable and 8 times expandable in horizontal and vertical directions
	TTF fonts	90°, 180°, 270° rotatable
Barcodes	1D	Code 39, Code 93, EAN 8/13 (add on 2 & 5), UPC A/E (add on 2 & 5), I 2 of 5 & I 2 of 5 with Shipping Bearer Bars, Codabar, Code 128 (subset A, B, C), EAN 128, RPS 128, UCC 128, UCC/EAN-128 K-Mart, Random Weight, Post NET, ITF 14, China Postal Code, HIBC, MSI, Plessey, Telepen, FIM, GS1 DataBar, German Post Code, Planet 11 & 13 digit, Japanese Postnet, I 2 of 5 with human readable check digit, Standard 2 of 5, Industrial 2 of 5 , Logmars, Code 11, Code 49, Cadablock
	2D	PDF417, Data matrix code, Maxi Code, QR code, Micro PDF417, Micro QR code, Aztec code
Code Page		850, 852, 437, 860, 863, 865, 857, 861, 862, 855, 866, 737, 851, 869, WINDOWS 1250, 1251, 1252, 1253, 1254, 1255, 1257,UTF-8, UTF-16BE, UTF-16LE,DBCS 932 (JIS), 936(GBK), 949 (Koran), 950(BIG5)
Graphics		Resident graphic file types are BMP and PCX, other graphic formats are converted by the software download
Interfaces	Standard	USB,USB HOST,RS232,Ethernet
	Optional	Wi-Fi, Bluetooth
Control Panel		Power switch button, FEED button, 2 indicating LEDs
LCD Display		3.5" TFT Color Touch Panel LCD
RTC Function		Equipped
Power Supply		External AC/DC switching power adapter, AC 100V-240V/DC 24V/2A/48W,Peak 5A
Environment	Operation	5 to 50°C@ humidity 25% to 85% non-condensing
	Storage	-40 to 60°C@ humidity 10% to 90% non-condensing
Physical Characteristic	Dimension(L×H×W)	308×250×180 mm
	Weight	2.9 kg
Options & Accessory		Peeler Module, Cutter Module, External Label Roll Holder
Agency Approval		CE EMC(55022 Class B), FCC EMC(Class A), CCC, RoHS



Identium tech Solutions Pvt Ltd

ADD: C-41, Okhla Industrial Area Phase - I, New Delhi 110020, India

TEL: +91 7011001472

WEB: www.identium.in

EMAIL: info@identium.in

