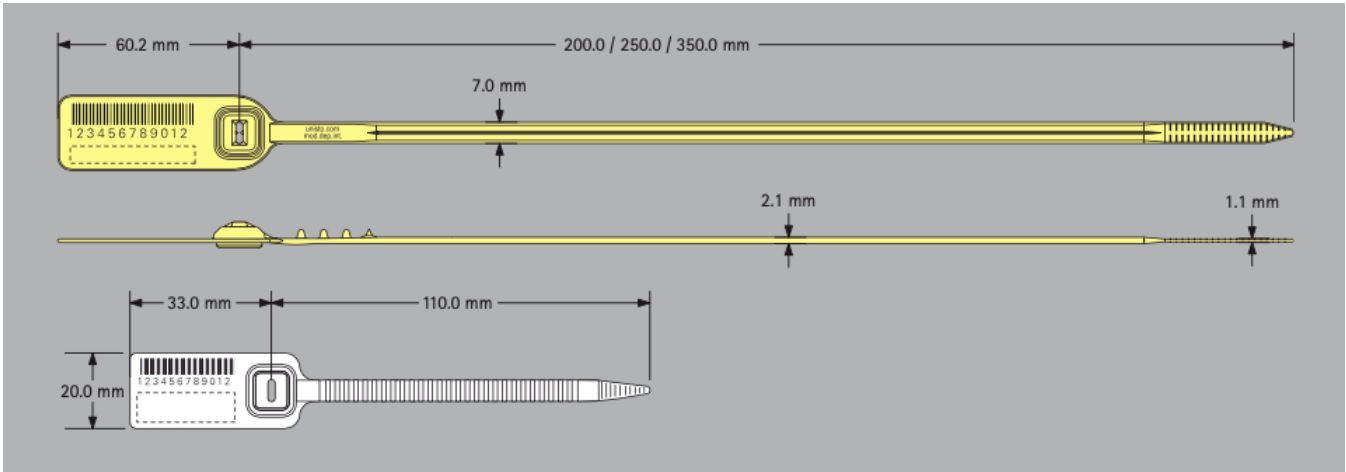


# RFID Cable Seal Tag



## Technical Data

### Materials

Strap/housing: polypropylene (PP)  
Locking spring: stainless steel

### Tensile strength

Approx. 52 kg

### Barcoding

Interleaved 2/5 or barcode 128  
Others on request

### Numbering

Up to 7 digits

### Customer name/logo

Foil printed, directly laser-marked or  
thermal transfer printing

### RFID:

HF – S50/Ntag21X  
UHF – Alien H33/Impinj MR6

**Plastic Colours – Directly laser-marked version:**  
blue 290U, yellow 100U, green 3375C, white

Other colours available on request

### Packing

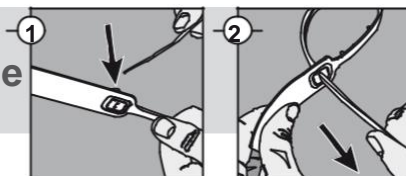
Mats of 10 pieces, box of 1000 seals  
110 mm: 230 x 175 x 280 mm (0.01 m<sup>3</sup>), approx. 2.45 kg  
200 mm: 335 x 270 x 245 mm (0.02 m<sup>3</sup>), approx. 4.3 kg  
250 mm: 335 x 270 x 245 mm (0.02 m<sup>3</sup>), approx. 5.2 kg  
250 mm: 385 x 270 x 220 mm (0.02 m<sup>3</sup>),  
approx. 5.6 kg (tear-off version)  
350 mm: 450 x 285 x 275 mm (0.04 m<sup>3</sup>), approx. 7.1 kg  
350 mm: 480 x 280 x 235 mm (0.04 m<sup>3</sup>),  
approx. 6.8 kg (tear-off version)

## Product Features and Benefits

- An all new 4-pronged spring metal insert that grips and cuts into the plastic ribbon when pulled back
- Unique 4-pronged spring steel insert to prevent post-sealing tampering
- Cap is secured by unique hot-welding and leave marks of attempted tampering
- Cap can be seen securely welded by visual inspection
- Ribbon snaps once there is any attempt to reserve the sealing
- Unique groove on the ribbon to prevent any attempt to seal from the reverse direction
- Unique calibration on the ribbon to facilitate consistent sealing and to eliminate foul play
- Innovative tear-off design, breaks only with a twist to prevent accidental or intentional breakage during transit (tear off version only)



## How to close



## How to open

