

Identium UHF 9dBi Circular Antenna IDTS – ULA9



Specifications

Performance

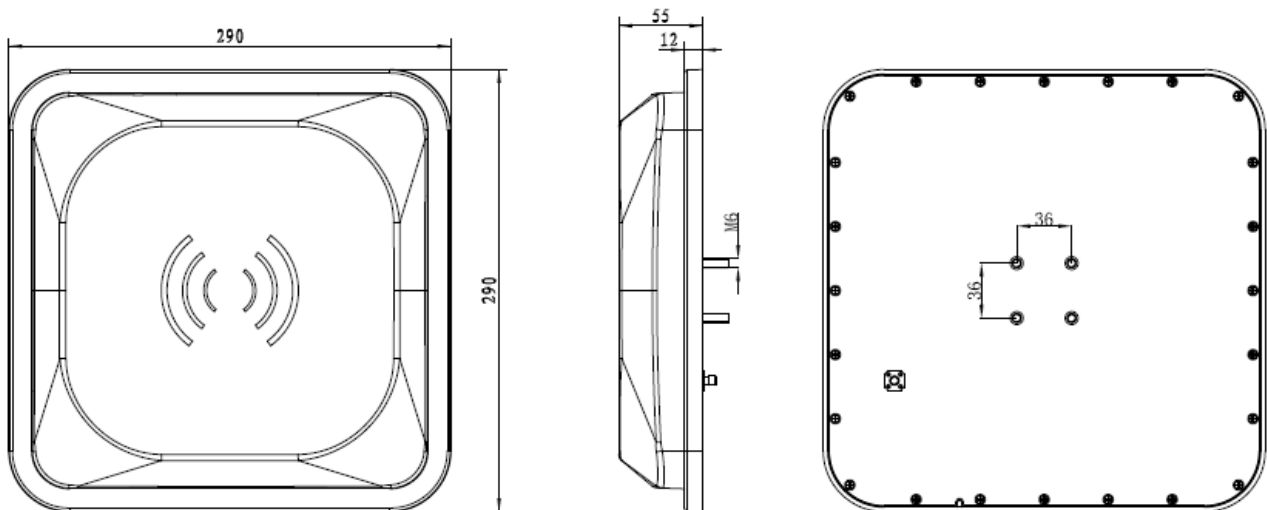
Frequency:	840-960MHz
Gain	9 dBi
"H" beam angle	70°
"E" beam angle	70°
Front-back	≥20 dB
Polarization	Right Circular or Left Circular
Impedance	50 (Ω)
VSWR	<1.3:1
Maximum Input Power	100W
Connector	SMA- male or Customize

IM.3rd Order(2x43dBm)	<-150dBc
Lightning Protection	DC to ground

Physical

Working Temperature:	-30 - +70°C
Storage Temperature:	-40 - +85°C
Atmospheric Pressure:	86kPa ~ 108kPa
Relative Humidity:	5%-95% RH no condensing
Size:	290mm×290mm×55mm
Weight:	600g
Housing Material:	Aluminum + Engineering plastic ASA
Protection level:	IP66

Drawing



Name	Theta	Ang	Mag
m1	0.0000	0.0000	9.1860

Radiation Pattern 1

